



DELMADE PTY LTD

Shaping the Land

1800 335 623 | www.delmade.com.au

INTRODUCTION



Visit us at 1 Hartog Place, Wagga



Our Showroom



Production Facilities



On-farm Delivery System

MISSION STATEMENT

We are committed to manufacture and supply our trusted high quality brand of grain handling equipment that answers the needs of Australian farmers. With our network of qualified dealers, we will ensure that our products are locally available and supported with an exceptional level of after sales care Australia wide.

VISION

Our vision is to be the preferred supplier of grain handling equipment, exceeding our customers' expectations in every area of our business. This will be supported with a structured systematised company foundation with a strong culture of continuous improvement motivated by an enthusiastic team spirit.

VALUES

As a company we value honesty, trust and fairness which we display and look for in employees, suppliers and customers involved in our business. Our goal is to consistently ensure an exceptional level of customer satisfaction in view of establishing lifelong customer relationships.

CONTENTS

10" Transportable Augers	3
12" Transportable Out Loading Augers	5
Hydraulic Wheel Drive & Lift (Option)	6
Transportable Augers with 3rd Wheel	7
Transportable Augers without 3rd Wheel	9
Mini Mobile Augers	10
Pencil Augers	11
Grain Hoppers & Downspouts	12
Remote Control Doors	13
Drill Fills	14
Side Shift Augers	15
Transfer Augers	15
Specialised Augers	16
Feed Out Trailers	16
12" & 15" Bunker Augers	17



GRAINLINE GUARANTEE

We guarantee you complete satisfaction in the performance of your Grainline products. If for any reason you are not happy with the size, model, reliability, performance or application of your product, simply bring it back within 30 days of purchase and we will exchange or refund the value of your purchase.

10" TRANSPORTABLE AUGERS



In response to the needs of Australian Farmers, Grainline have developed the 120 tonne/hr high capacity range of transportable augers, taking away the strain previously required in this operation. Grainline understands today's increased value of time, safety and simplicity in on-farm operations, and manufacture a range of augers that answer to your needs.

Simple finger tip control, raising a lever to elevate the auger, reversing the flight to clean out and guarded moving parts brings you complete assurance that you have made the right choice on this fully self contained, premium quality auger.

10" Transportable Augers	10" x 13m/43'	10" x 15m/50'	10" x 17m/56'	10" x 18m/60'	10" x 20m/65'	10" x 21m/70'	12" x 11m/36'
Approx. HP	27	27	31	35	35	35	35
Std Hyd Wheel Drive & Lift	Std	Std	Std	Std	Std	Std	Std
3rd Wheel Lift Ram & Platform	Std	Std	Std	Std	Std	Std	Std
Dual Wheel Drive Motors	Opt	Opt	Opt	Std	Std	Std	Std
LED Work Lights	Opt	Opt	Opt	Std	Std	Std	Std
Reach @ 35°	7.6m/25'	8.7m/28'	9.9m/32'	10.5m/34'	11.3m/37'	12.2m/40.8'	6.4m/21'
Transporting Hinge	N/A	N/A	N/A	Opt	Std	Std	N/A
Approx. Capacity @ 30°	120t/hr	120t/hr	120t/hr	120t/hr	120t/hr	120t/hr	180t/hr



Heavy duty double intake flighting with a cupped edge provides increased capacity and an extended lifetime.

The permanently fixed inner guard, removable outer guard, intake choke, emergency cut-off switch and telescopic tow bar all contribute to the safety and user friendliness of the auger.



Mechanical drive provides maximum horse power to the auger flighting with the engaging level of the triple drive belts allowing a simple and reliable operation.

The self levelling 25L fuel tank can be simply removed with a quick release connector for remote refuelling or storage.



Easy cleanout of your auger is enabled with the reversible gearbox.

The neutral position enables the hydraulic system to operate for the hydraulic wheel drive and winch while the flighting is disengaged.



The drive shaft covers and guards provide safety and protection for operators to minimize the chance of accidents.



The size and weight of the 10 inch diameter auger range requires the hydraulic wheel drive and lift to be supplied standard for the ease of driving around and manoeuvring into position.

New 4WD tyres are also standard on these augers.



The dual motor drive wheel provides all the power requires to get your auger where you need it. This is standard on all augers from 8 metre (60 foot) and larger but is available as an upgrade if your terrain is soft or sloped.

Motors are directly coupled to the axle, eliminating the wear and tear typically known as chain or guarded drive mechanisms.



The standing platform provides a convenient and safe location to ride on your self propelled auger. This standing position enables easy vision to both ends of your auger over against the difficulty of a sitting position.

12" TRANSPORTABLE OUT LOADING AUGERS



With a capacity of over 180 tonne/hr output, this 12 inch 35HP Grainline out loading auger ensures your trucks will never sit for long while loading. The hydraulic wheel drive & lift ensures this fully self contained auger can be driven around and positioned with the ease of finger tip control. With a reach of more than 6.5m high, this auger is the ideal size for loading trucks.

Our 12 inch range includes all our standard auger features such as safety covers & guards, double cupped flighting, intake choke, quick release fuel tank, reversible gearbox and new 4WD tyres.

12" x 11m/36' Transportable Augers

Approx. HP	Std Hyd Wheel Drive & Lift	3rd Wheel Lift Ram & Platform	Dual Wheel Drive Motors	LED Work Lights	Reach @ 35°	Transporting Hinge	Approx. Capacity @ 30°
35	Std	Std	Std	Std	6.4m/21'	N/A	180t/hr

HYDRAULIC WHEEL DRIVE & LIFT (OPTION)



The hydraulic wheel drive and lift feature is available as an option to the petrol driven Grainline transportable augers with a 3rd wheel. This system provides the ability to operate the auger, raise and lower the height and drive the auger with basic finger-tip control, taking away the strain of any heavy manual work. Driving and steering is operated from a single joystick lever giving accurate and smooth control. The large, deep grooved lug tyre on the drive wheel provides positive traction. Height is adjusted through a single 2-way lever operating the hydraulically driven winch. This feature can also be retro-fitted to existing Grainline augers without any engine or gearbox upgrades required.

Recent development in additional options to the hydraulic drive system provides even greater convenience.



THIRD WHEEL LIFT RAM



DUAL MOTOR DRIVE WHEEL



STANDING PLATFORM



AUGER WORK LIGHTS

TRANSPORTABLE AUGERS WITH 3RD WHEEL



By listening to farmers and end users along with implementing auger safety standards, Grainline has continually improved the design features of the auger range to best meet the requirements in the field. With the benefits of being locally made, Grainline augers are designed for Australian conditions and any improvements can be quickly implemented. Grainline offers the unique advantage of every transportable auger being delivered fully assembled, tested and ready for work. Grainline confidentially offers a money back guarantee along with a full 12 months warranty.

Augers with 3rd Wheels	8" x 11m/36'	8" x 13m/43'	8" x 14m/46'	8" x 15m/50'	8" x 17m/56'	10" x 11m/36'
Approx. HP	18	20	20	22	27	22
Hyd Wheel Drive & Lift	Opt	Opt	Opt	Opt	Opt	Opt
Reach @ 35°	6.4m/21'	7.6m/25'	8.2m/27'	8.7m/28'	9.9m/32'	6.4m/21'
4WD Wheels	Opt	Opt	Opt	Opt	Opt	Opt
Approx. Capacity @ 30°	80t/hr	80t/hr	80t/hr	80t/hr	80t/hr	120t/hr



Heavy duty double intake flighting with a cupped edge provides increased capacity and an extended lifetime. Permanently fixed inner guard, removable outer guard, intake choke, emergency cut-off switch and telescopic tow bar all contribute to the safety and user friendliness of the auger.



The drive shaft covers and guards provide safety and protection for operators to minimize the chance of accidents.



The triple reduction on the lift cable as well as the cable pulleys and slide rollers running on sealed bearings lessens the strain on the cable and winch minimising friction when raising and lowering the auger.



Reversible gearboxes on all Grainline petrol and PTO augers allow flighting to be reversed for cleaning out the auger.



The Grainline 3rd wheel design allows the auger intake to be raised off the ground so no manual lifting is required when moving the auger around.

AUGER DRIVE OPTIONS



HYDRAULIC DRIVE AUGERS

Hydraulic Drive Augers utilise your tractor's hydraulics providing ultra smooth operation with minimal maintenance required.



PTO DRIVE AUGERS

PTO Drive Augers help utilize existing equipment. For safe operation, engaging lever is positioned on opposite side of auger away from tractor PTO.



3 PHASE ELECTRIC DRIVE

Where 3 Phase power is available the electric drive is a quiet, efficient and reliable option.

TRANSPORTABLE AUGERS WITHOUT 3RD WHEEL



This range of transportable augers are very easy to handle due to their lighter weight and well balanced design.

Due to the use of smaller motors and not requiring 3rd wheel assistance, they present excellent value while maintaining the key features of Grainline transportable augers.

These features include heavy double intake flighting, triple reduction on the lift cable from the safety brake winch, pulley sheaves and rollers set in sealed bearings and full safety covers and guarding providing a safe, reliable and premium quality product. The petrol driven augers are also supplied with a reversible gearbox for easy cleanout. Grainline also other drive options in this range of augers including PTO, hydraulic and 3 phase electric.

Augers without 3rd Wheel	6" x 9m/30'	6" x 11m/36'	6" x 12m/40'	8" x 9m/30'
Approx. Horse Power	8	8	11	11
Reach @ 35°	5.2m/17'	6.4m/21'	7m/23'	5.2m/17'
Approx. Capacity @ 30°	30t/hr	30t/hr	30t/hr	80t/hr
Electric Start	Opt	Opt	Std	Std

MINI MOBILE AUGERS



Grainline introduced the Mini Mobile auger to fulfill the requests for a small petrol drive pencil auger. Unlike electric drive augers, a petrol drive auger requires the engine to be mounted at a suitable angle and in a position at the lower end of the auger where an operator can safely start and control the engine from the ground.

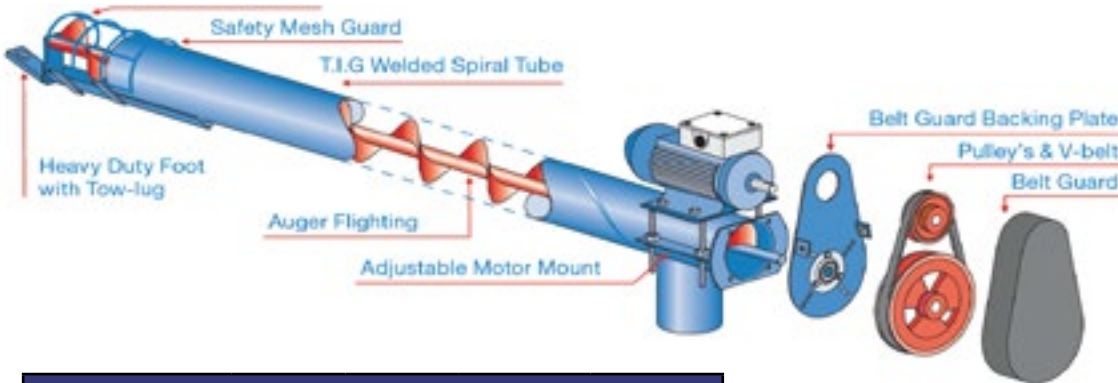
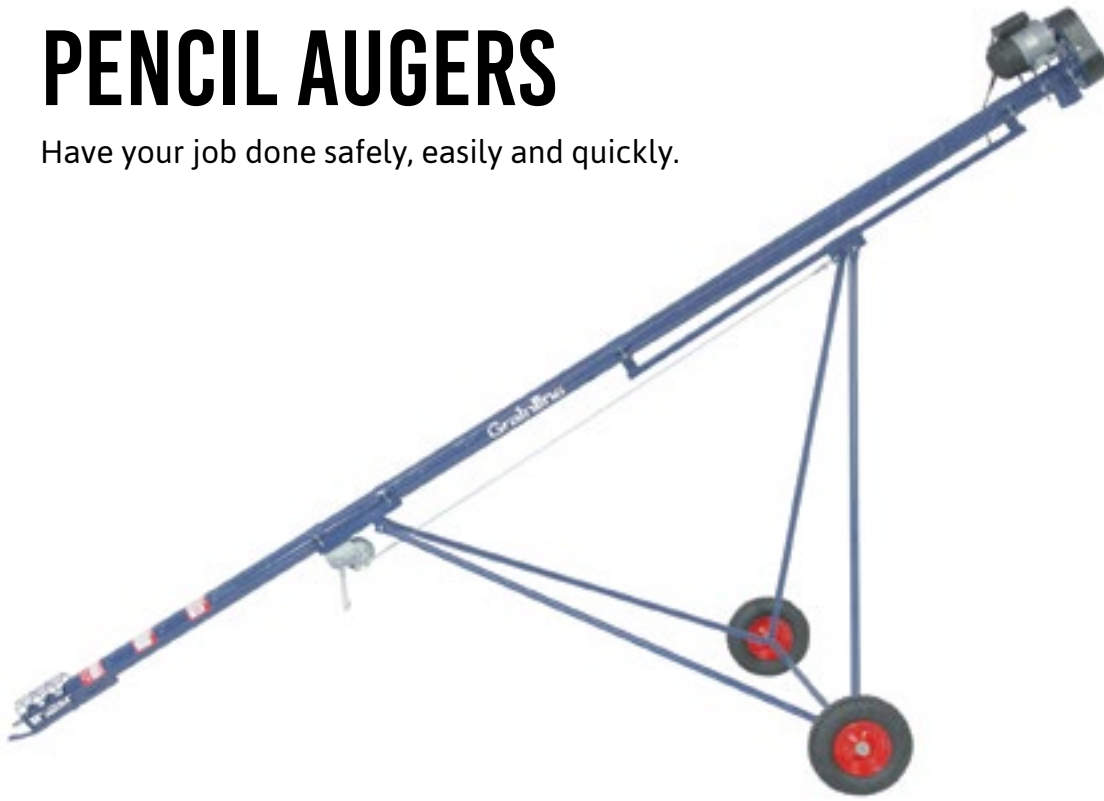
Grainline produce the Mini Mobile augers range complete with the undercarriage, winch kit and high speed road wheels.

The Grainline Mini Mobile auger is an entirely self-sufficient, user friendly auger offering great value and is a must for any farmer or grazier working with grain.

Mini Mobile Augers	4" x 5.5m/18'	5" x 5.5m/18'	5" x 8m/26'	6" x 5.5m/18'	6" x 8m/26'
Approx. Horse Power	5.5	5.5	5.5	5.5	5.5
Reach @ 35°	3.2m/10'	3.2m/10'	4.6m/15'	3.2m/10'	4.6m/15'
Approx. Capacity @ 30°	10t/hr	15t/hr	15t/hr	30t/hr	30t/hr
Electric Start	N/A	N/A	N/A	N/A	N/A

PENCIL AUGERS

Have your job done safely, easily and quickly.



TUBE CLAMPS



HIGH SPEED ROAD WHEELS



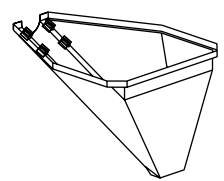
INTAKE CHOKES

Approximate HP Requirements and Capacities

Auger Length	4"	5"	6"	8"
3m (10ft)	0.75HP	1.0HP	2.0HP	4.0HP
4m (13ft)	0.75HP	1.5HP	2.0HP	5.0HP
5m (16ft)	1.0HP	2.0HP	3.0HP	5.5HP
6m (20ft)	1.5HP	3.0HP	4.0HP	7.5HP
7m (23ft)	1.5HP	3.0HP	5.0HP	9.0HP
8m (26ft)	2.0HP	4.0HP	5.0HP	10.0HP
9m (30ft)	2.0HP	5.0HP	6.0HP	11.0HP
10m (33ft)	2.0HP	5.0HP	6.5HP	12.0HP
11m (36ft)	2.0HP	5.0HP	7.0HP	13.0HP
12m (40ft)	3.0HP	6.0HP	7.5HP	15.0HP
13m (43ft)	3.0HP	6.0HP	9.0HP	16.0HP
14m (46ft)	3.0HP	7.5HP	10.0HP	18.0HP
15m (50ft)	4.0HP	9.0HP	11.0HP	20.0HP
Capacities	*7-10	*12-15	*25-30	*70-80



GEARDRIVE MOTORS



MINI HOPPERS



12 VOLT DRIVES

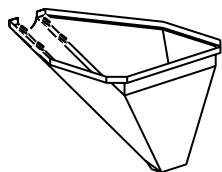


HYDRAULIC DRIVES

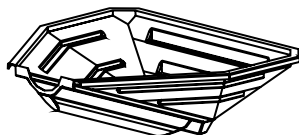
* Approximate Capacities per Hour (Wheat) Tonne/Hour

GRAIN HOPPERS

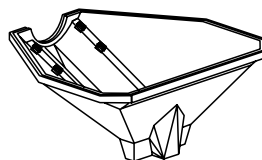
Manufactured from lightweight, flexible and weather resistant material, for safe and easy handling.



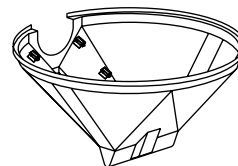
GPH-1
Mini Hopper
Capacity 60 ltrs



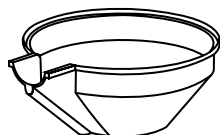
GPH-2
Triangular Hopper
(Standard)
Capacity 160 ltrs



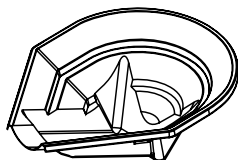
GPH-3
Triangular Hopper
(Deluxe)
Capacity 160 ltrs



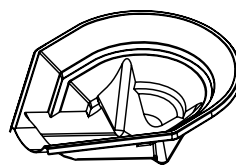
GPH-4
Round Hopper
Capacity 260 ltrs



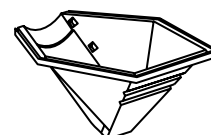
GPH-5
Round Hopper
(Flat Base)
Capacity 320 ltrs



GPH-6/8
Agri Hopper
Capacity 200 ltrs



GPH-6/10
Agri Hopper
Capacity 290 ltrs



GPH-7
Air Seed Hopper
Capacity 85 ltrs

DOWN SPOUTS

8" & 11" down spouts vailable with or without adaptors in any length required.



8" & 11" - WITH ADAPTOR
Standard in 3, 5 or 7 segments
Available in any length required



8" & 11" - WITHOUT ADAPTOR
Standard in 3, 5 or 7 segments
Available in any length required

REMOTE CONTROL GRAIN DOORS



Utilise your tipper for sowing

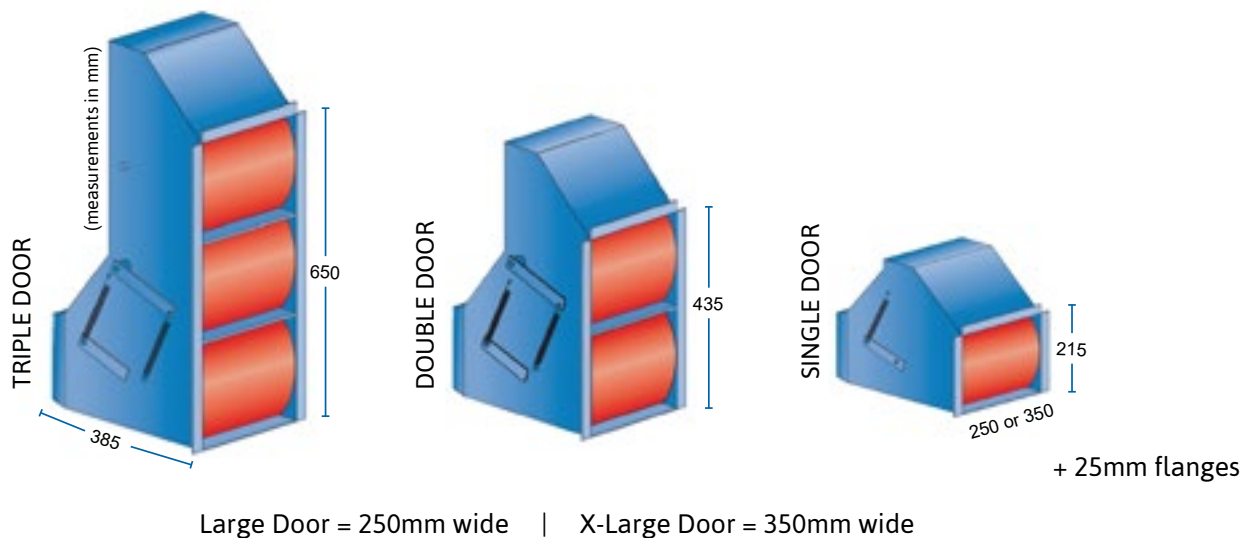
The use of Grainline's remote control doors and the concept of being able to open, close and control the flow of materials out of your grain doors from the platform of your seeder box have revolutionized the sowing operation. By creating an easy one man operation, it also reduces the risk of scrambling up and down from your seeder. With the hand held transmitter the doors will only operate when you're pressing the buttons enabling you to make slight adjustments to get the correct flow. Indicator lights, manual override switches and a 12V auxillary plug are all valuable features supplied on the control box.





Single, double and triple doors are available allowing you to use 1, 2, or 3 products out of one truck by installing V-form divisions in your tipper. The standard range of rota doors are 250mm wide which will feed up to a 9 inch auger. Grainline also offers a 350mm wide opening in single, double or triple doors for feeding large augers.

Rota Doors can be spring loaded and operated manually using ropes or cables.



SIDE SHIFT AUGERS

To overcome the inconvenience and down time involved in splitting B-Doubles or road trains, Grainline have developed a unique horizontal auger system that can be used in conjunction with the Grainline Rota Door.

This auger mounts to the trailer tail gate and flange mounts over the bagging door. With a direct drive from a hydraulic motor plumbed into your truck hydraulics, this auger transfers the grain beyond the side of your truck where it can load directly into another auger or hopper.



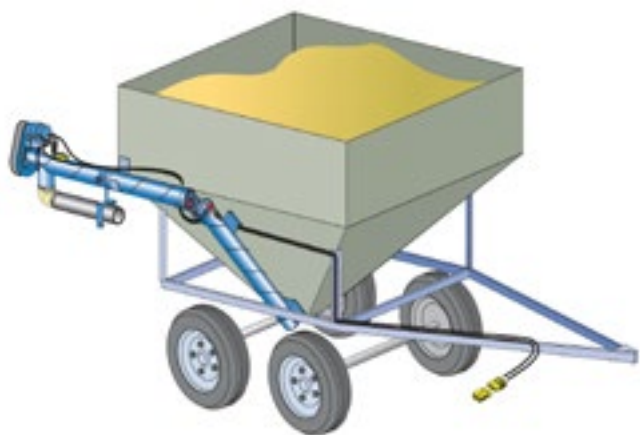
TRANSFER AUGERS

Grainline also manufacture a short, fully self contained transfer auger that can be positioned between trailers for unloading or under a silo, which is available in 8 or 10 inch diameters.



SPECIALISED AUGERS

Purpose built augers to fit your existing equipment.



Augers for feed out bins and trailers



Augers to mount on your air seeder

FEED OUT TRAILERS

Perfect for filling feeders, troughs, combines or trail feeding in the paddock.

Designed with a gravity system the Grainline Feed Out Trailer has fewer moving parts, making it a hassle-free solution to your sheep and cattle feeding needs.

Available in 2.5 tonne and 4 tonne with many options available, we are sure to have the machine to suit all your feeding needs.



2.5 Tonne (30 bag) Feed Out Trailer including 3m x 5" Auger



4 Tonne (50 bag) Feed Out Trailer including 3m x 6" Auger

BUNKER AUGERS



In recent years due to customer demand Grainline has introduced bunker loading augers to our quality Australian manufactured range of grain handling equipment. Able to achieve up to 5.5 tonne per minute, these machines have been produced as a cost effective option for filling grain bunkers up to 35m wide, with the simplicity of function and unique low profile drive over hopper, the Grainline Bunker Auger is a quality built machine that is a pleasure to operate by both receival site personnel & delivery drivers.

- Load up to 35m wide Bunkers (with concrete walls)
- PTO Drive with hydraulic folding ramps
- Large full width triple flight drive over hopper
- Purpose built for your application
- Designed and manufactured by Grainline in Australia
- Quick & easy to shift
- Hydraulic Lift
- 330 tonne/hr capacity

Designed & Manufactured
in Australia



12" Bunker Augers	
Code	GBA1275
Size	12 inch x 75 ft (23 metres)
Tractor Requirements	110 Horsepower
Operating Speed	540 rpm max.
Bunker Size	Suits up to 35m wide bunkers
Hopper	3.5m x 1.4m low profile dual flighted hopper
Auger Capacity	Approx. 180 tonne/hr (wheat)
Ramps	4.2m x 3.5m hydraulic folding including bi-folding extensions
Tube	12 inch (305mm), intake 5mm, outlet 3mm with rotatable barrel
Flighting	280mm x 280mm x 4.8mm with 65nb (76.1mm) bore
Finish	Grainline Blue 2-pac paint with powder coated ramps
Operating Angle	30 degrees
Warranty	12 months

15" Bunker Augers	
Code	GBA1575
Size	15 inch x 75 ft (23 metres)
Tractor Requirements	160 Horsepower
Operating Speed	540 rpm max. (1000 rpm PTO tractors will require a reduction gearbox)
Bunker Size	Suits up to 35m wide bunkers
Hopper	3.5m x 1.4m low profile dual flighted hopper
Auger Capacity	Approx. 330 tonne/hr (wheat)
Ramps	4.2m x 3.5m hydraulic folding including bi-folding extensions
Tube	15 inch (380mm), intake 4mm, outlet 3mm with rotatable barrel
Flighting	355mm x 355mm x 4.8mm with 80nb (88.9mm) bore
Finish	Grainline Blue 2-pac paint with powder coated ramps
Operating Angle	27 degrees
Warranty	12 months





1800 335 623
sales@delmade.com.au
www.delmade.com.au

7 Roxford Avenue, Westbury, Tas, 7303